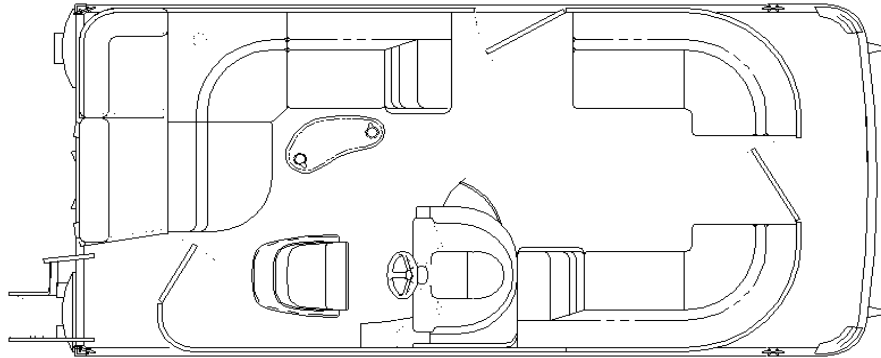




# BENNINGTON

## 1850GL

<b>Specifications:</b>		<u>23" Tubes</u>	<u>25" Tubes</u>
LOA.....	20' 2"	Max. HP Capacity.....	60 hp
Pontoon Length.....	18' 6"	Approx. Hull Weight.....	1869 lbs
Deck Length.....	17' 11"	Person Capacity.....	7 / 915 lbs
Deck Width.....	8' 6"		
Pontoon Diameter.....	23"		
Pontoon Gauge.....	.080"		



## Standard Features

### Exterior

**10' Bimini Top w/ Embroidered Boot,**  
**Quick Release Fittings & 1.25" Frame**  
 23" Pontoons  
 6" Stainless Steel Cleats  
 Anodized, Raised Rails for Drainage  
 Bimini Trailer Struts  
**16" On-center Main Cross Members**  
**Docking lights with color matched housings**  
 Full Length Pontoon Skirting  
 Large Radius Bow Rails with 24" Bow Gate  
**Panels to top rail**  
**Playpen Cover - Surlast**  
**Rail system - Angled top rail verticals**  
**Seat hinges powder coated Java**  
 Stainless Deck Bolts  
**Stainless Steel Ring Cup holders**  
 Stainless Steel Corner Castings  
 Stern Entry Platform & Ladder  
 Underdeck Spray Deflectors

### Interior

2 Chaise Lounges w/ Storage  
 26 Gallon Fuel Tank W/ Remote Fill  
 Captain's Seat w/ Slider / Swivel  
 Fire Extinguisher  
**High Performance Palm Carpet**  
 Kidney Shaped Table

### Console

**41" Console**  
 12 Volt Receptacle  
 Faria Gauges w/ Sealed Connectors  
 Helm courtesy light  
 Instrumentation: Mahogany Panel  
     Includes: Tach, Volt, Trim,  
     Fuel Gauge & Hour Meter  
 Lockable Console Door  
 Locking Glovebox  
 Rocker Switches w/dash mounted breakers  
 Soft Cooler  
**Sony GT Series CD - MP3, 4 speakers**  
     **w/ color matched speaker grills**  
**Tiger polished steering wheel**  
**Tilt Steering**  
 Windshield